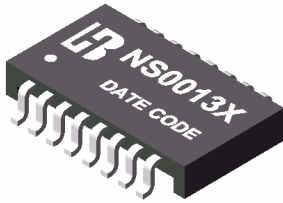


10/100 PC CARD LAN MAGNETICS SOLUTIONS

P/N: NS0013X DATA SHEET

Feature

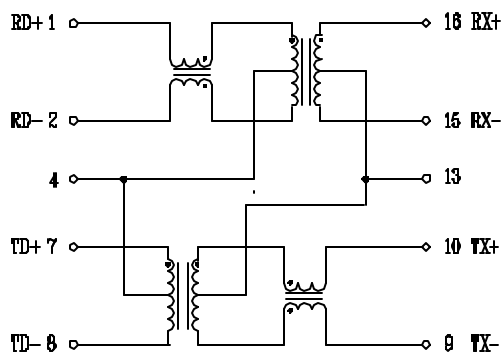


- Low profile packages from 0.094 Inch(2.39mm) to 0.078 Inch(1.98mm) for PC card and card bus applications .
- Compatible package with INTEL,TDK,QSI, and ICS Transformer
- Operating temperature range: 0°C to +70°C.
- Storage temperature range: -25°C to +125°C.

Electrical Specifications @ 25°C							
Part Number	Turns Ratio (±3%)		OCL (uH Min) @ 100KHz/0.2V Pin(16-15 / 7-8)	C _{WV} (pF Max)	L.L. (uH Max)	DCR (Ω Max) Pin(16-15/7-8)	HI-POT (Vrms)
	RX	TX					
NS0013X	1CT:1CT	1CT:1CT	350	30	0.4	0.9	1500

Part Number	Insertion Loss (dB Max)	Return Loss (dB Min)				Cross talk (dB Min)	DCMR (dB Min)
	0.3-100 MHz	0.3-30MHz	40MHz	50MHz	60-80MHz	0.3-100MHz	0.3-100MHz
NS0013X	-1.1	-18	-15.5	-13.5	-10	-38	-30

Schematic



Mechanical

